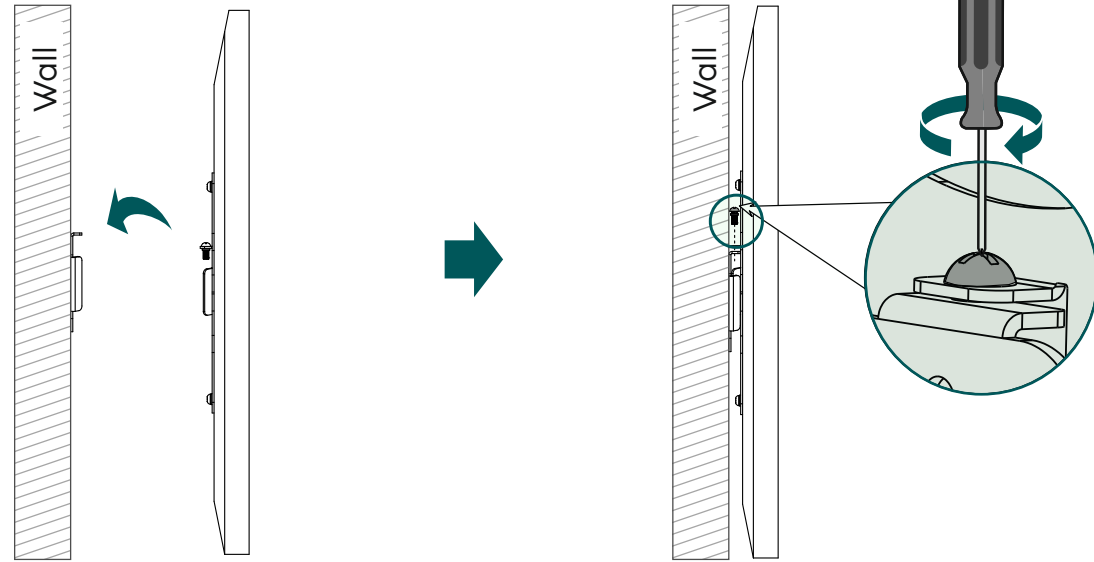


4 Adjustment & Fixing



We are so happy you chose a hama product.

Enjoy using it!



Do you need more help?



Scan QR or visit: www.hama.com

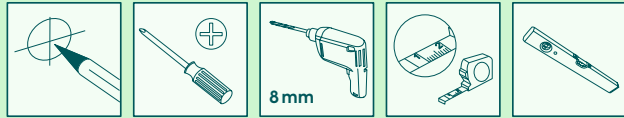
➔ 🔍 ➔ 00220800 ➔ Downloads



hama

Quick Installation Guide

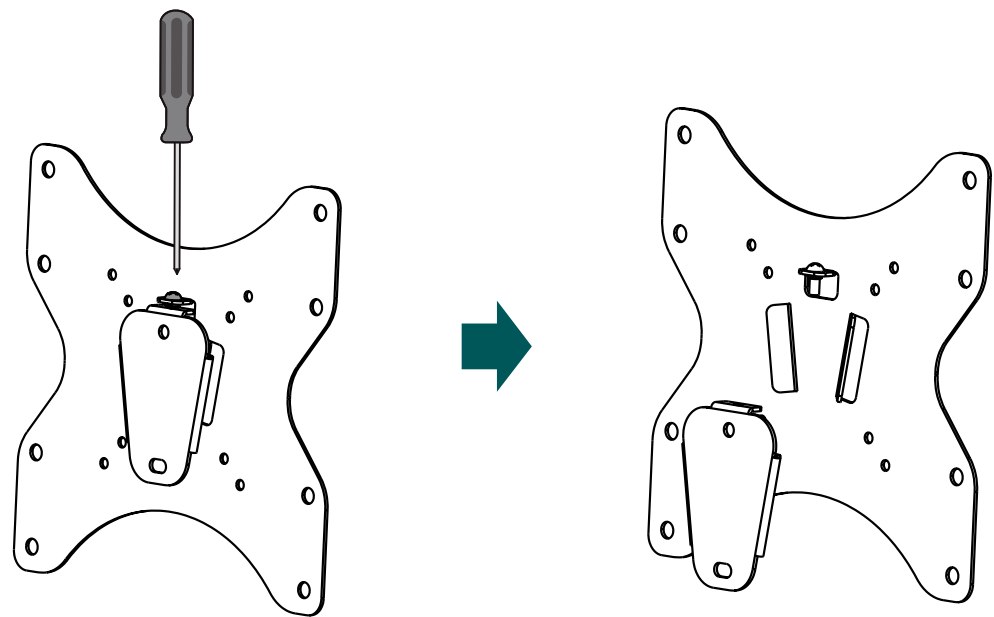
Required tools



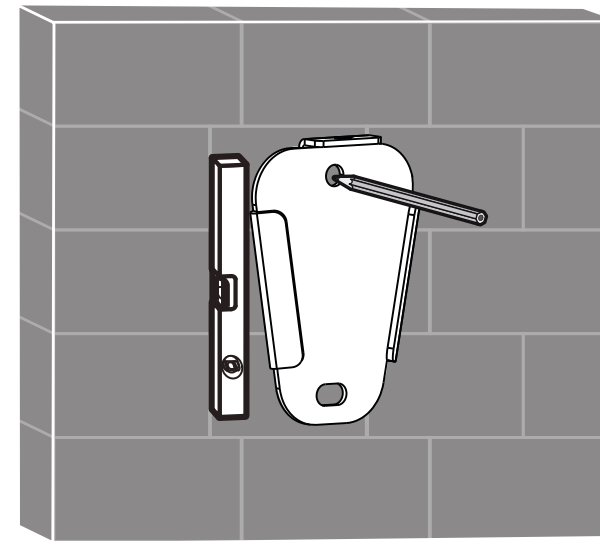
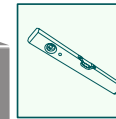
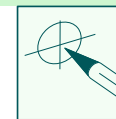
Installation kit

A1		6x55 (x2)	B3		Ø8x20 (x4)	D3		M8x30 (x4)
A2		Ø8x50 (x2)	C1		M6x12 (x4)	E1		M4x12 (x4)
A3		M6 (x2)	C2		M6x20 (x4)	E2		M4x20 (x4)
B1		M6 (x4)	D1		M8x12 (x4)	E3		M4x45 (x4)
B2		Ø8x10 (x4)	D2		M8x20 (x4)			

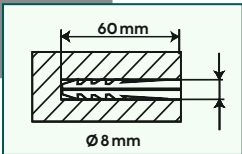
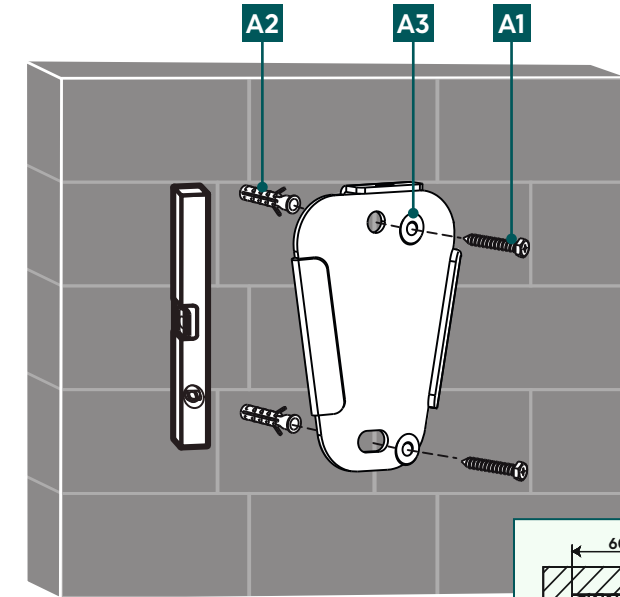
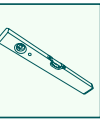
1 Preparing the bracket



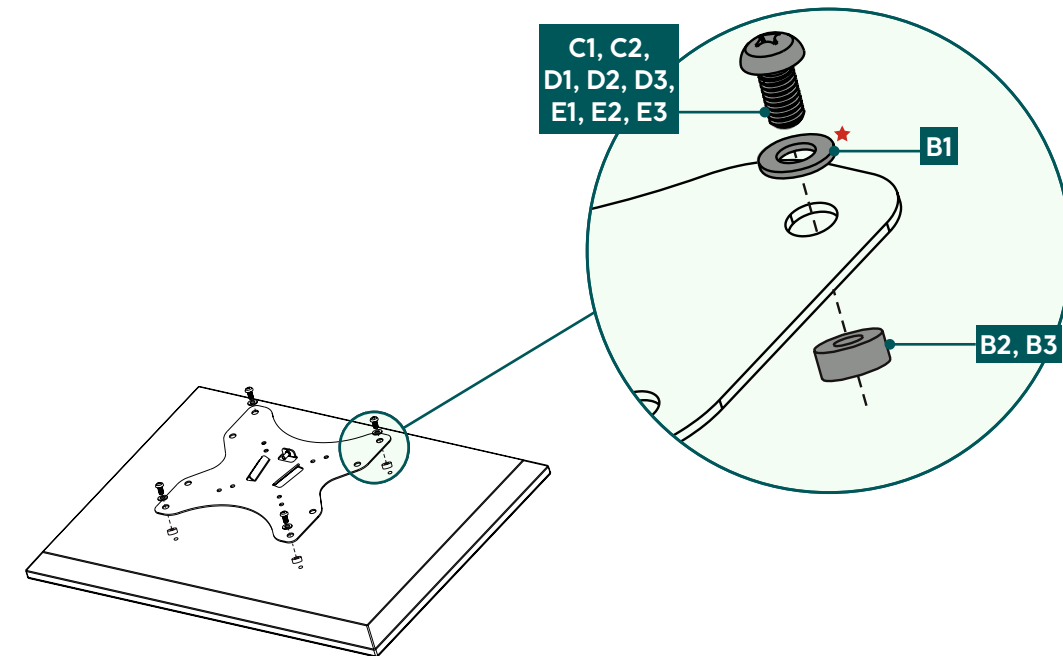
2a Marking the holes



2b Wall mounting the bracket



3 Mounting on backside of the TV



Flat TV backside

C1, D1, E1, E3 + B1

Curved TV backside

C2, D2, E2, E3 + B1 + B2

D3, E3 + B3

★ You do not need a washer for the D-screws

