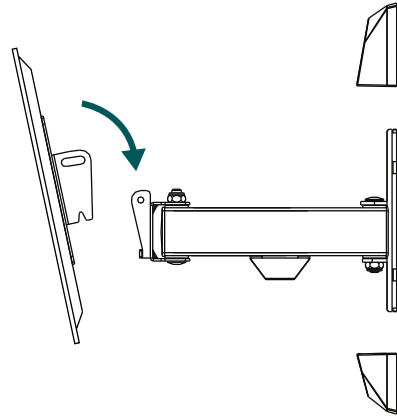
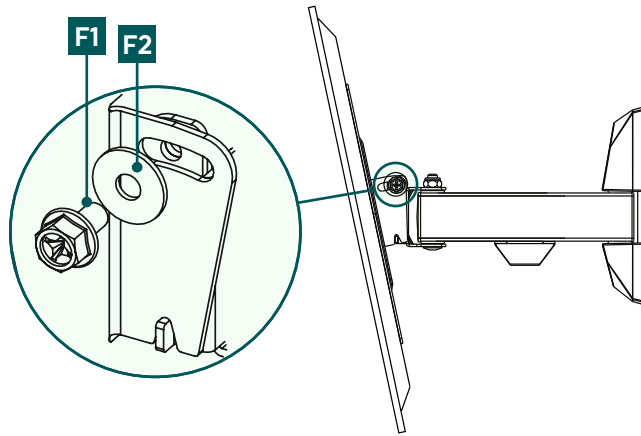


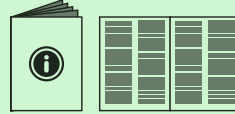
### 3 Adjustment



### 4 Fixing



Do you need more help?



Scan QR or visit:  
[support.hama.com/00220820](https://support.hama.com/00220820)

We are so happy you chose a hama product.

*Enjoy using it!*

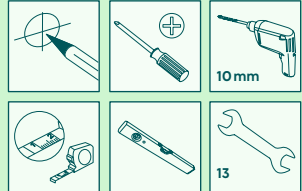


**hama**



# Quick Installation Guide

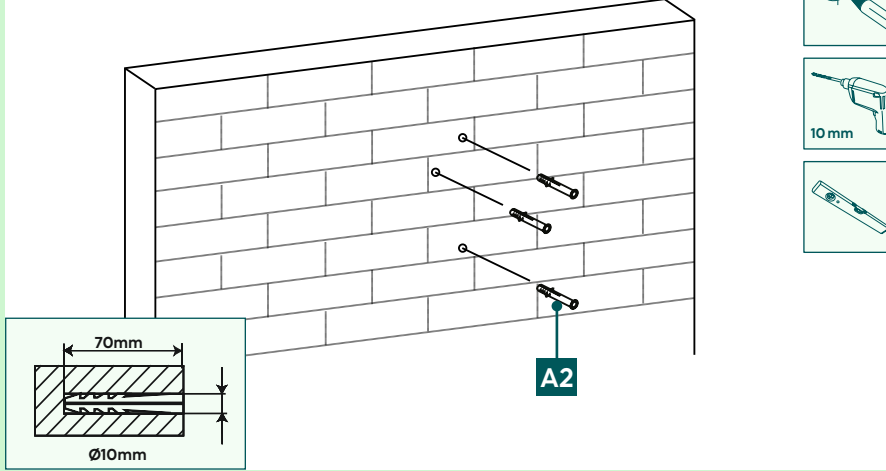
## Required tools



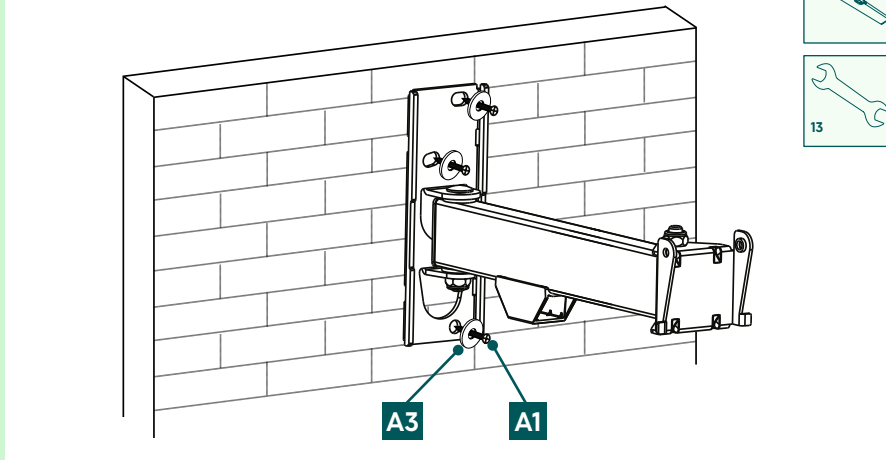
## Installation kit

<b>A1</b>		8x70 (x3)
<b>A2</b>		Ø10x60 (x3)
<b>A3</b>		M8 (x3)
<b>B1</b>		M6 (x4)
<b>B2</b>		Ø8x10 (x4)
<b>E1</b>		M4x12 (x4)
<b>E2</b>		M4x20 (x4)
<b>E3</b>		M4x45 (x4)
<b>F1</b>		M6x12 (x2)
<b>F2</b>		M6 (x2)

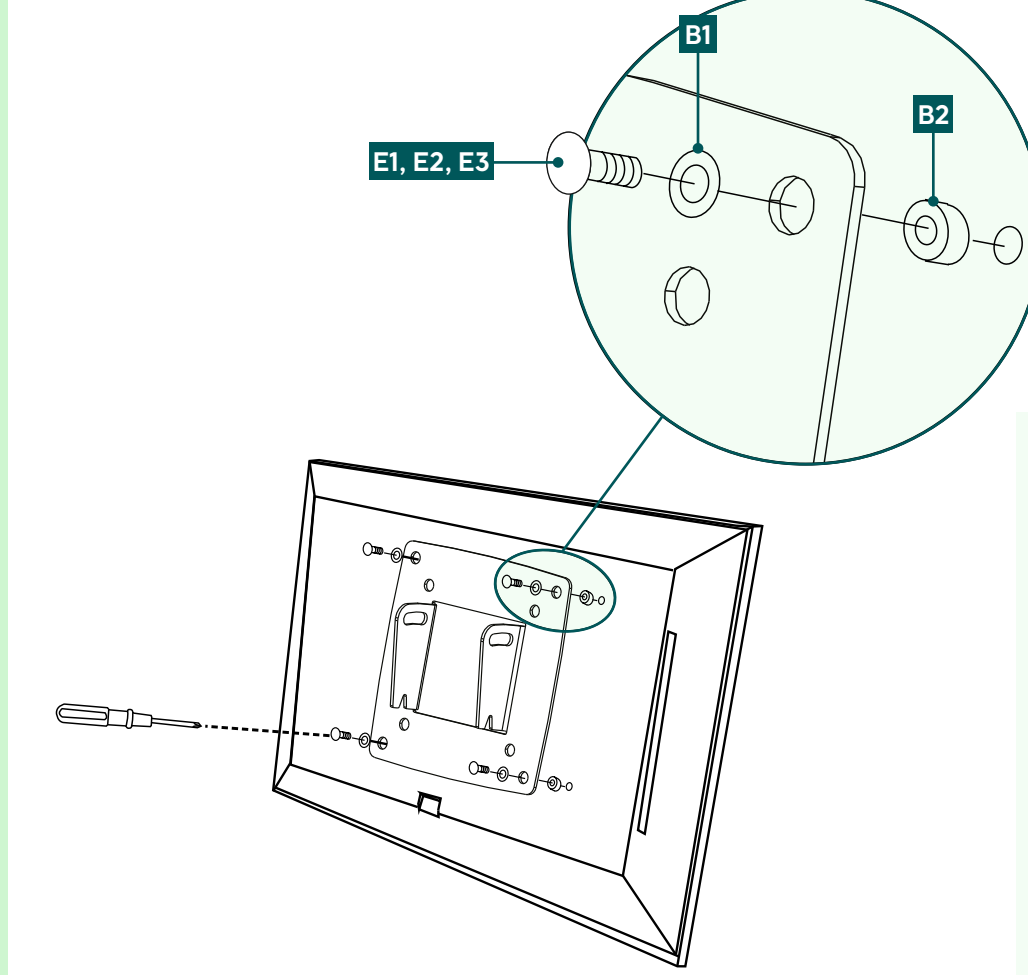
## 1a Drilling the holes



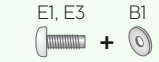
## 1b Wall mounting the bracket



## 2 Mounting on backside of the TV



### Flat TV backside



### Curved TV backside

