

We are so happy you chose a  
hama product.

***Enjoy using it!***

***hama***



00  
220829

# Quick Installation Guide

## Required tools



## Installation kit

<b>A1</b>		8x70 (x4)	<b>D1</b>		M8x12 (x4)
<b>A2</b>		Ø10x60 (x4)	<b>D2</b>		M8x20 (x4)
<b>A3</b>		M8 (x4)	<b>D3</b>		M8x30 (x4)
<b>B1</b>		M6 (x4)	<b>D4</b>		M8x50 (x4)
<b>B2</b>		Ø8x10 (x4)	<b>E1</b>		M4x12 (x4)
<b>B3</b>		Ø8x20 (x4)	<b>E2</b>		M4x20 (x4)
<b>C1</b>		M6x12 (x4)	<b>F1</b>		(x1)
<b>C2</b>		M6x20 (x4)	<b>F2</b>		(x1)

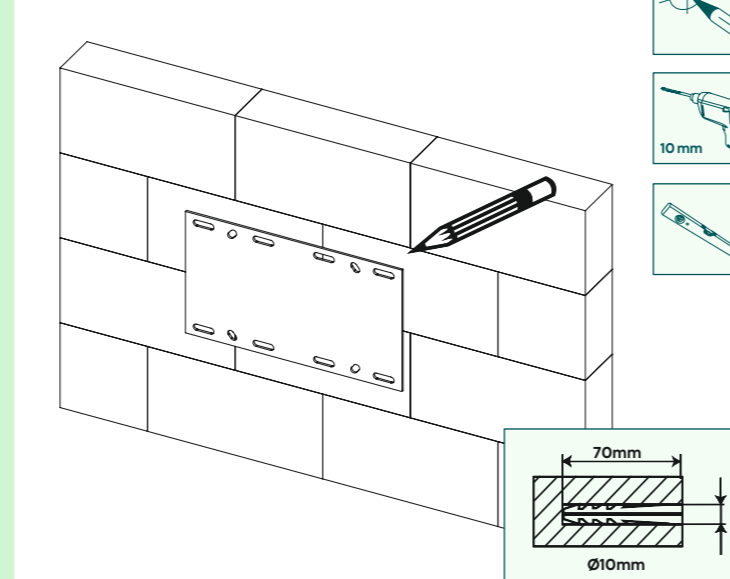
??  
Do you need more help?



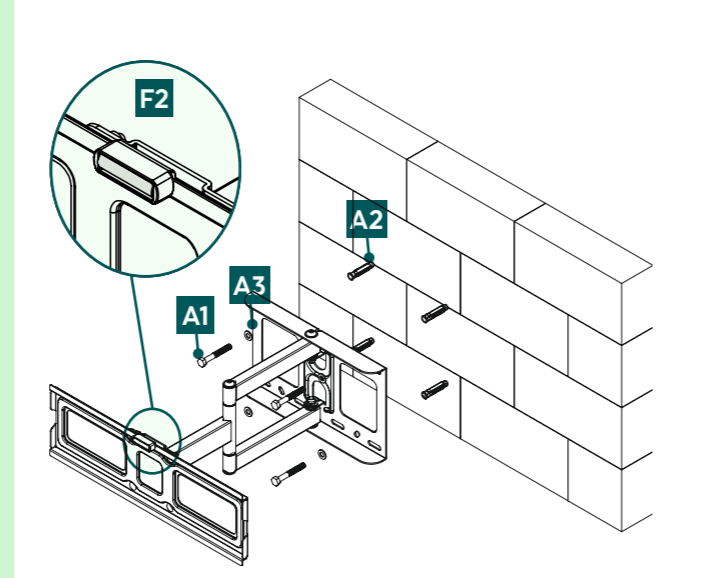
Scan QR or visit:  
[support.hama.com/00220829](http://support.hama.com/00220829)



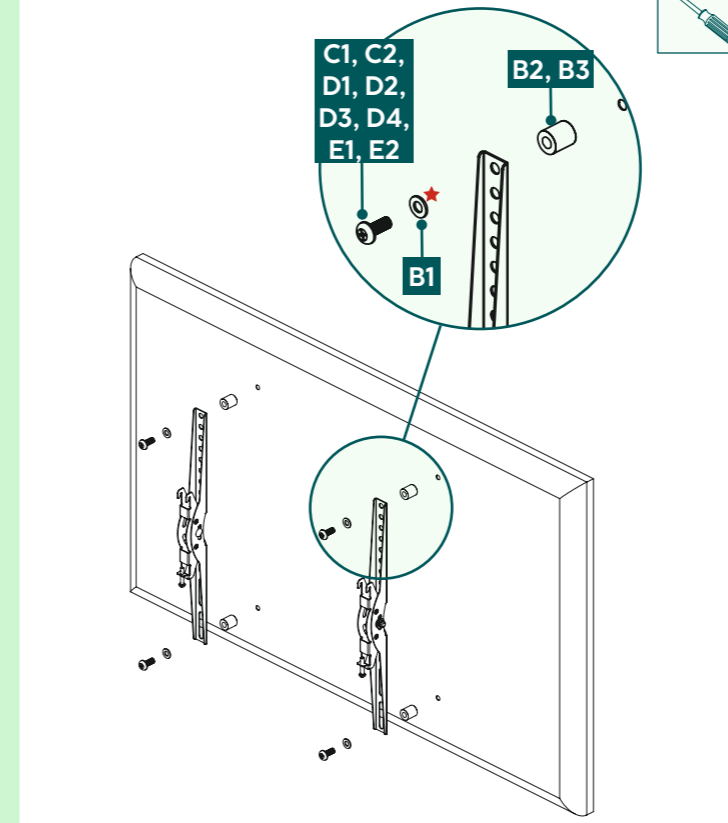
## 1 Drilling the holes



## 2 Wall mounting the the bracket

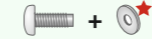


## 3 Mounting on backside of the TV



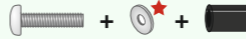
### Flat TV backside

C1, D1, D4, E1 + B1

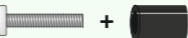


### Curved TV backside

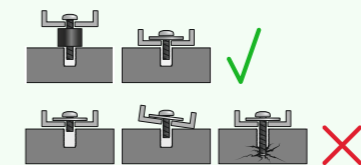
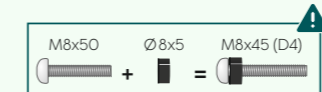
C2, D2, D4, E2 + B1 + B2



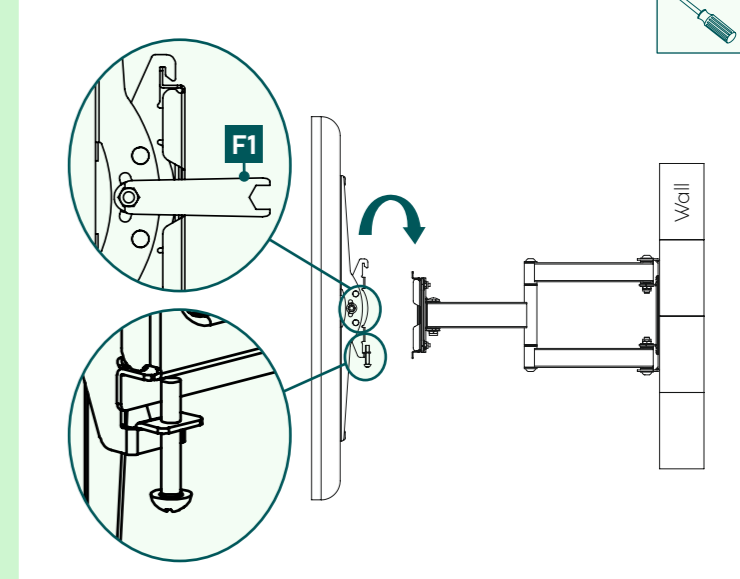
D3, D4 + B3



★ You do not need a washer for the D-screws



## 4 Fixing the wall bracket



## 5 Adjustments

