

We are so happy you chose a
hama product.

Enjoy using it!

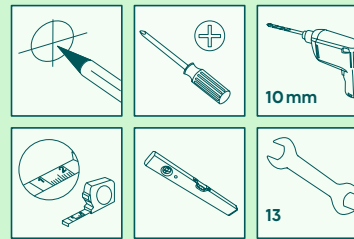


hama

00
220844

Quick Installation Guide

Required tools

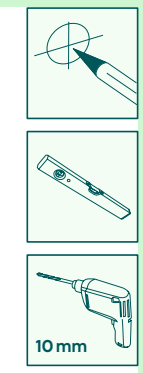
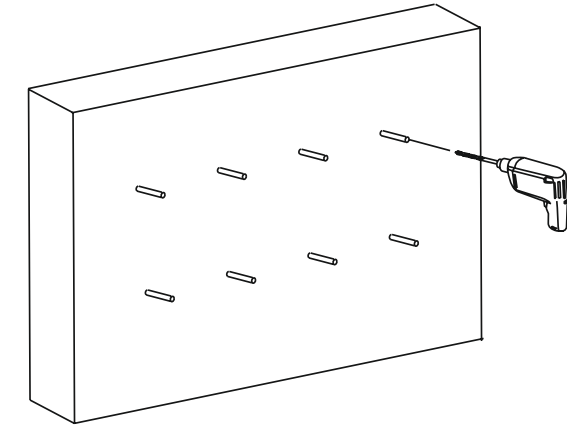


Installation kit

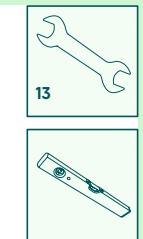
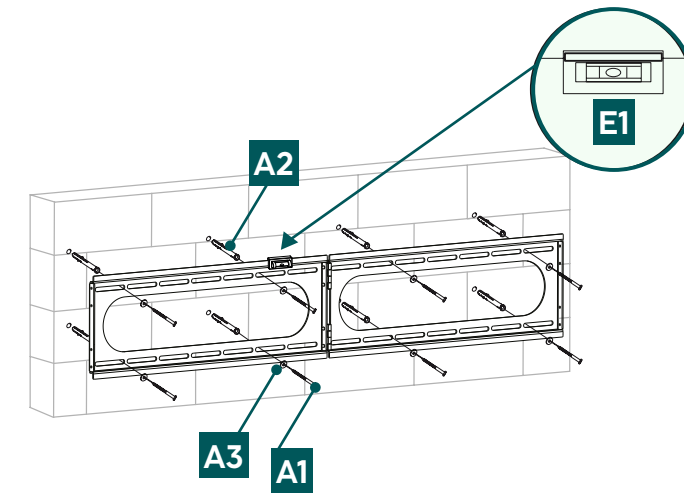
A1		8x70 (x8)	C2		M6x20 (x4)
A2		Ø10x60 (x8)	D1		M8x12 (x4)
A3		M8 (x8)	D2		M8x20 (x4)
B1		M6 (x4)	D3		M8x30 (x4)
B2		Ø8x10 (x4)	D4		M8x50 (x4)
B3		Ø8x20 (x4)	E1		(x1)
C1		M6x12 (x4)			



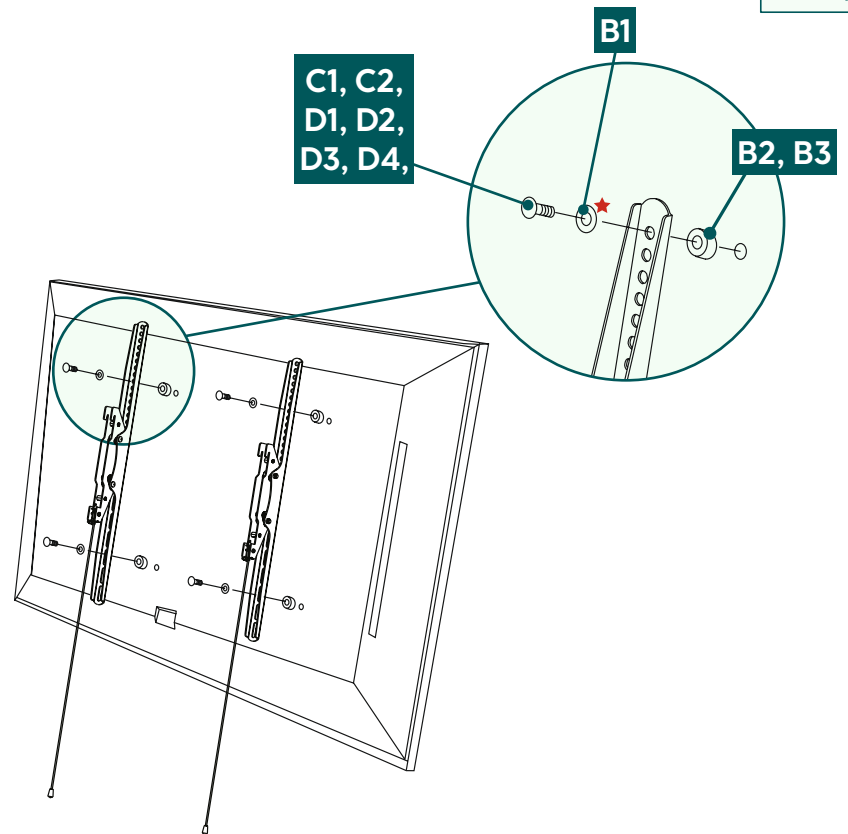
1 Drilling the holes



2 Wall mounting the bracket

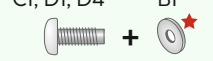


3 Mounting on backside of the TV



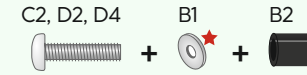
Flat TV backside

C1, D1, D4 + B1

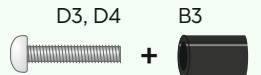


Curved TV backside

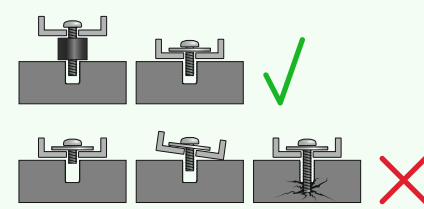
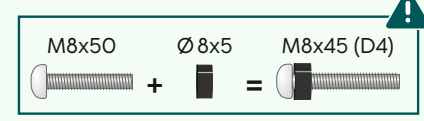
C2, D2, D4 + B1 + B2



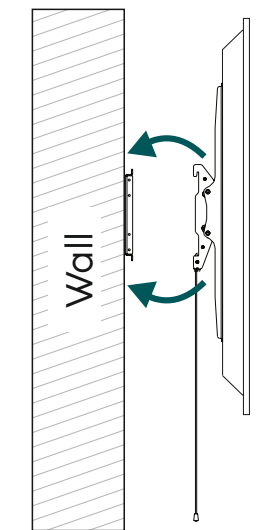
D3, D4 + B3



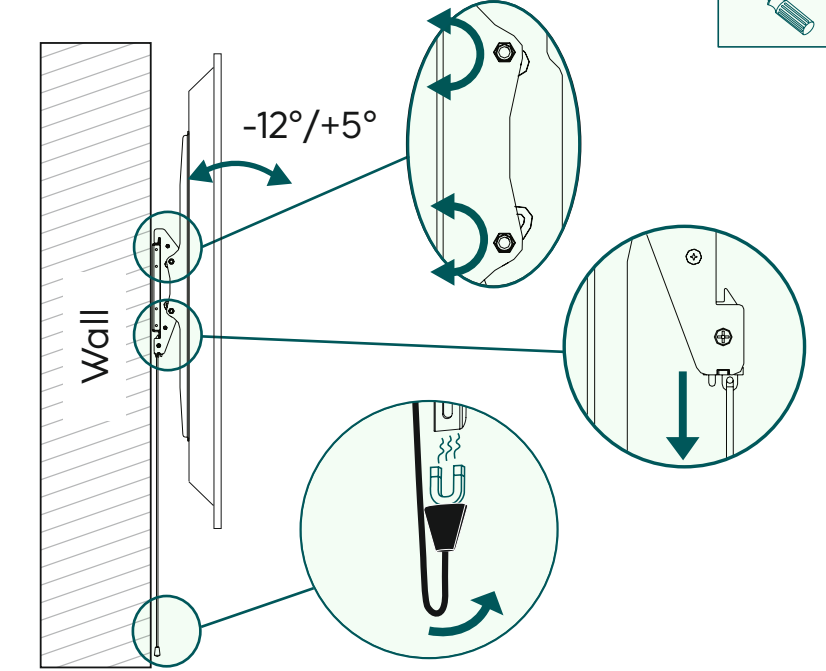
★ You do not need a washer for the D-screws



4 Adjustment & Fixing



5 Adjustment & Fixing



Do you need more help?



Scan QR or visit:
support.hama.com/00220844

