

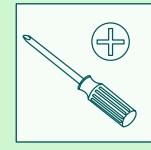
We are so happy you chose a
hama product.

Enjoy using it!



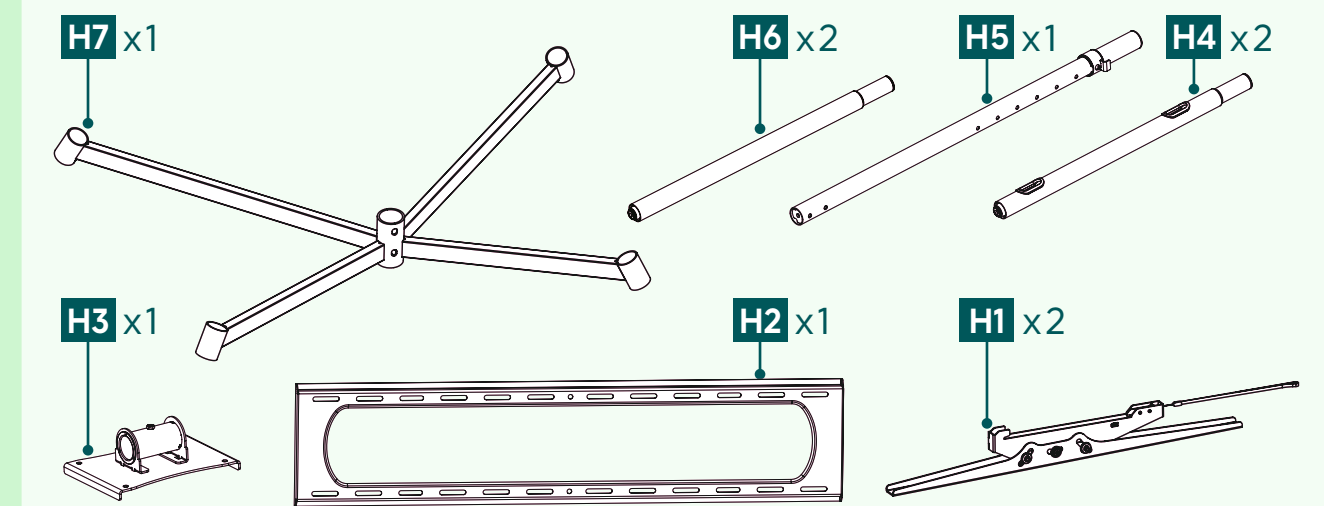
Quick Installation Guide

Required tools

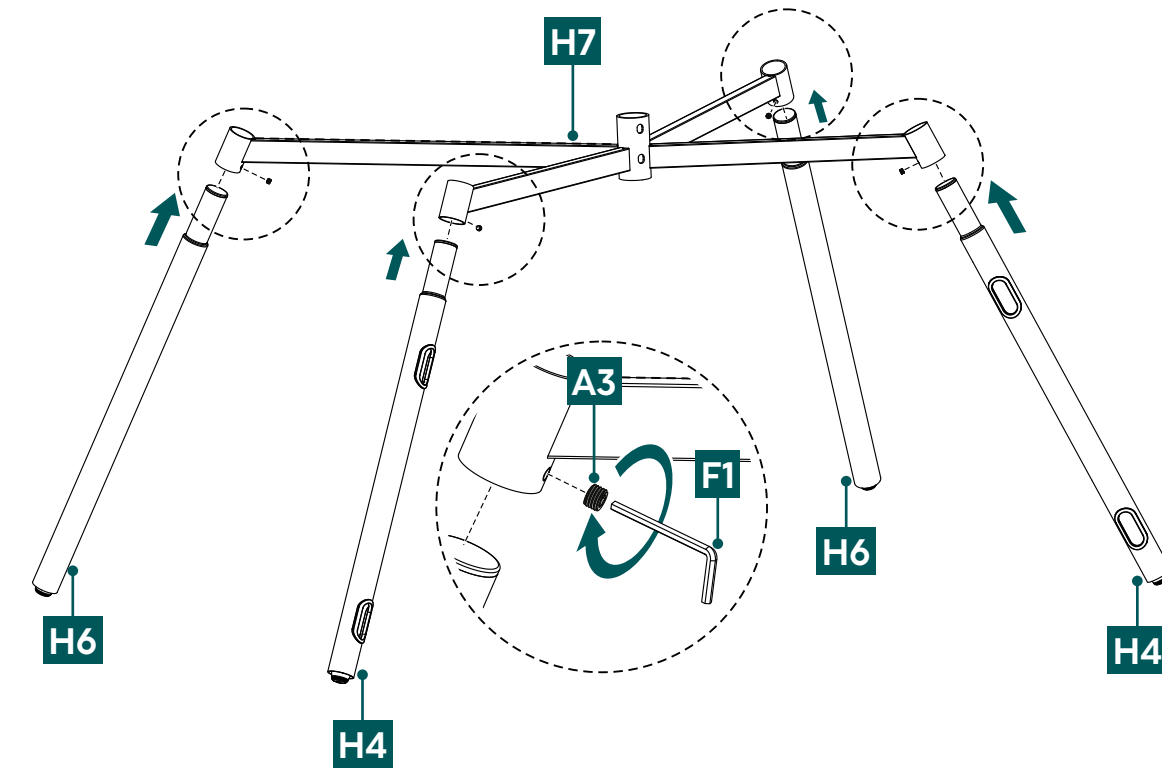


Installation kit

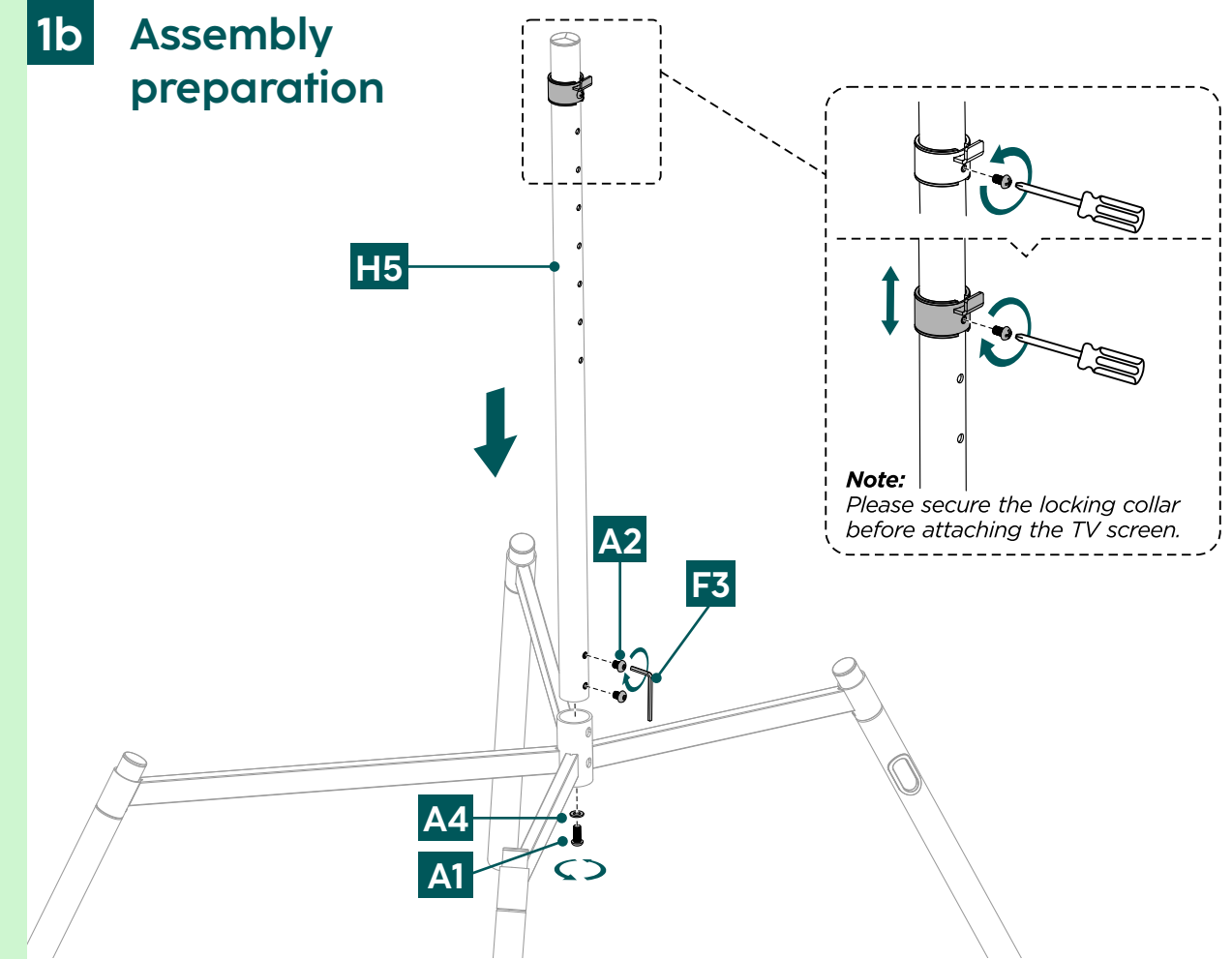
A1		M8x20 (x1)	D2		M8x20 (x4)
A2		M8x10 (x6)	D3		M8x30 (x4)
A3		M6 (x4)	D4		M8x50 (x4)
A4		M8 (x5)	E1		M4x12 (x4)
B1		M5/M8 (x4)	F1		3 mm (x1)
B2		Ø8x10 (x4)	F2		4 mm (x1)
B3		Ø8x20 (x4)	F3		5 mm (x1)
C1		M6x12 (x4)	G1		(x2)
C2		M6x20 (x4)	G2		(x3)
D1		M8x12 (x4)	G3		(x1)



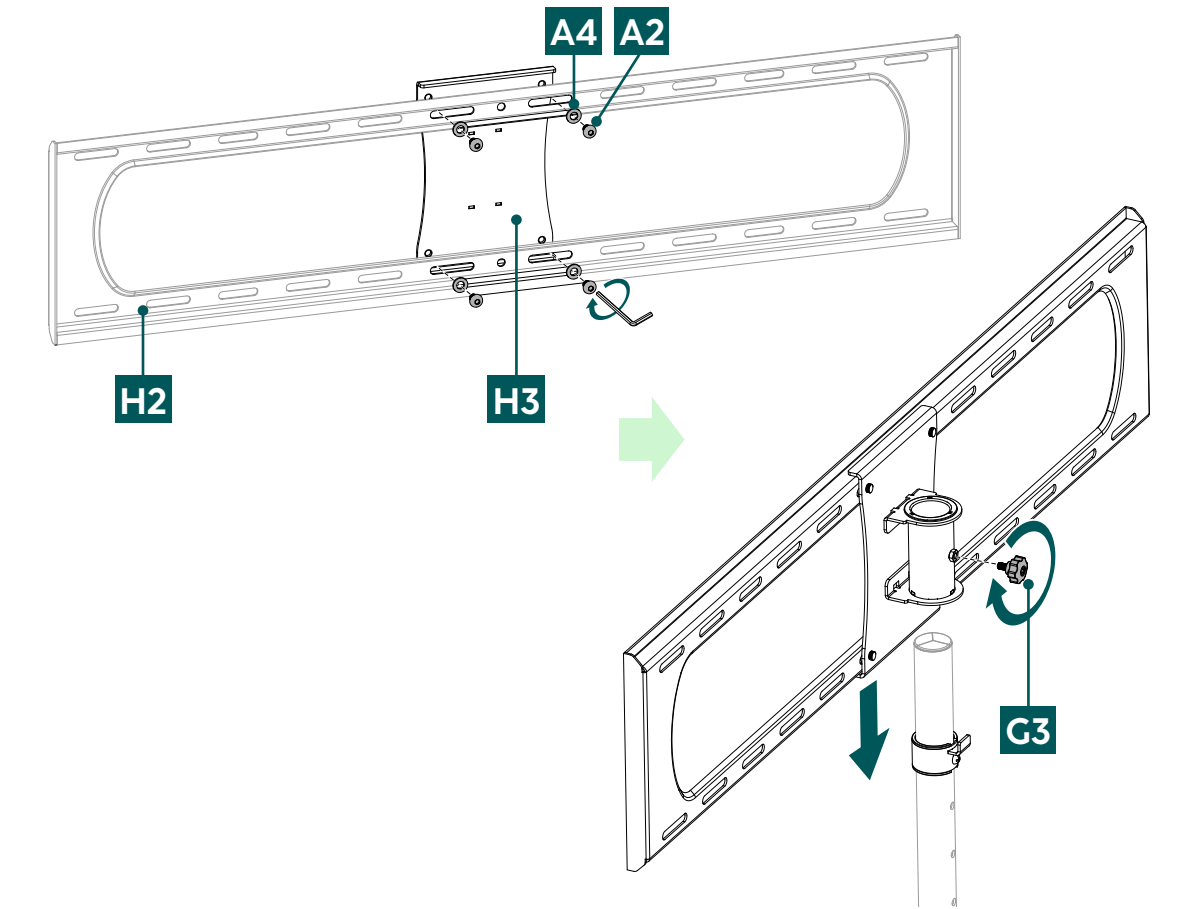
1a Assembly preparation



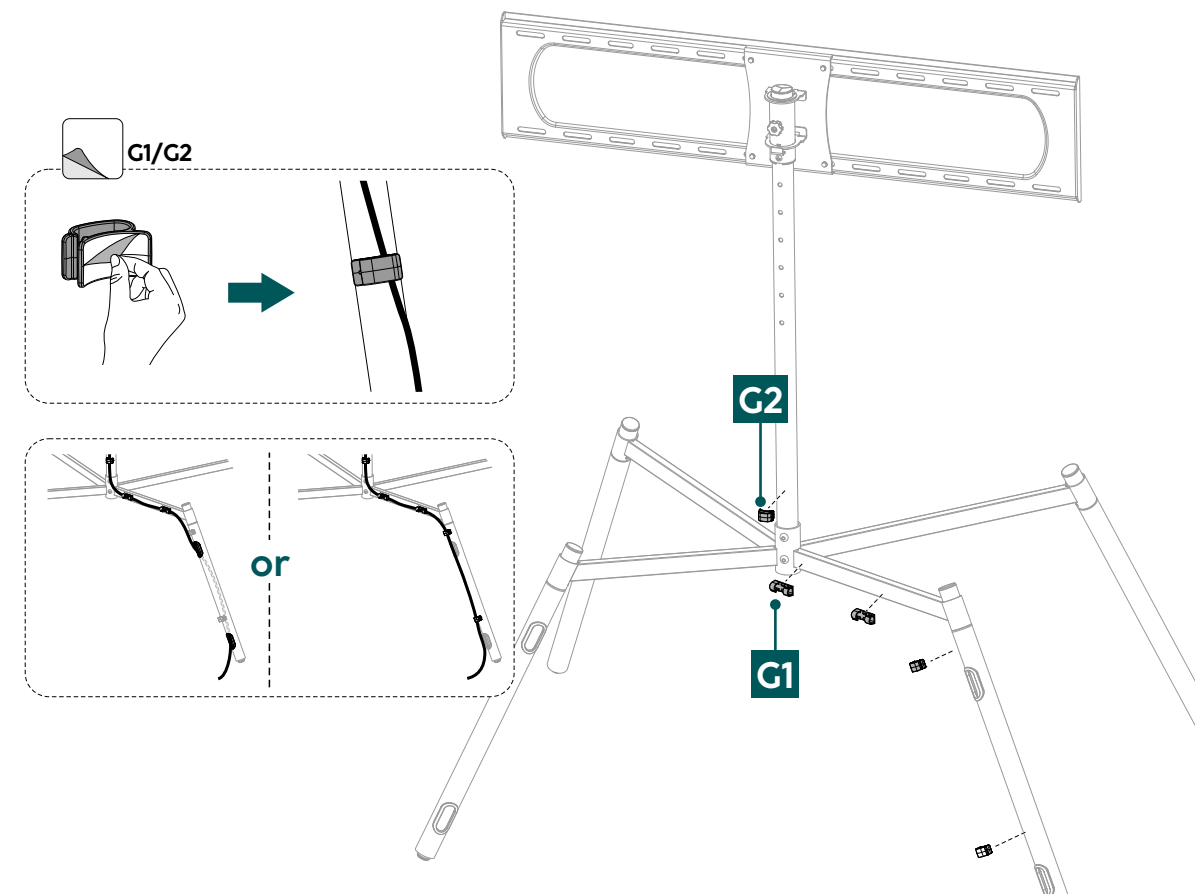
1b Assembly preparation



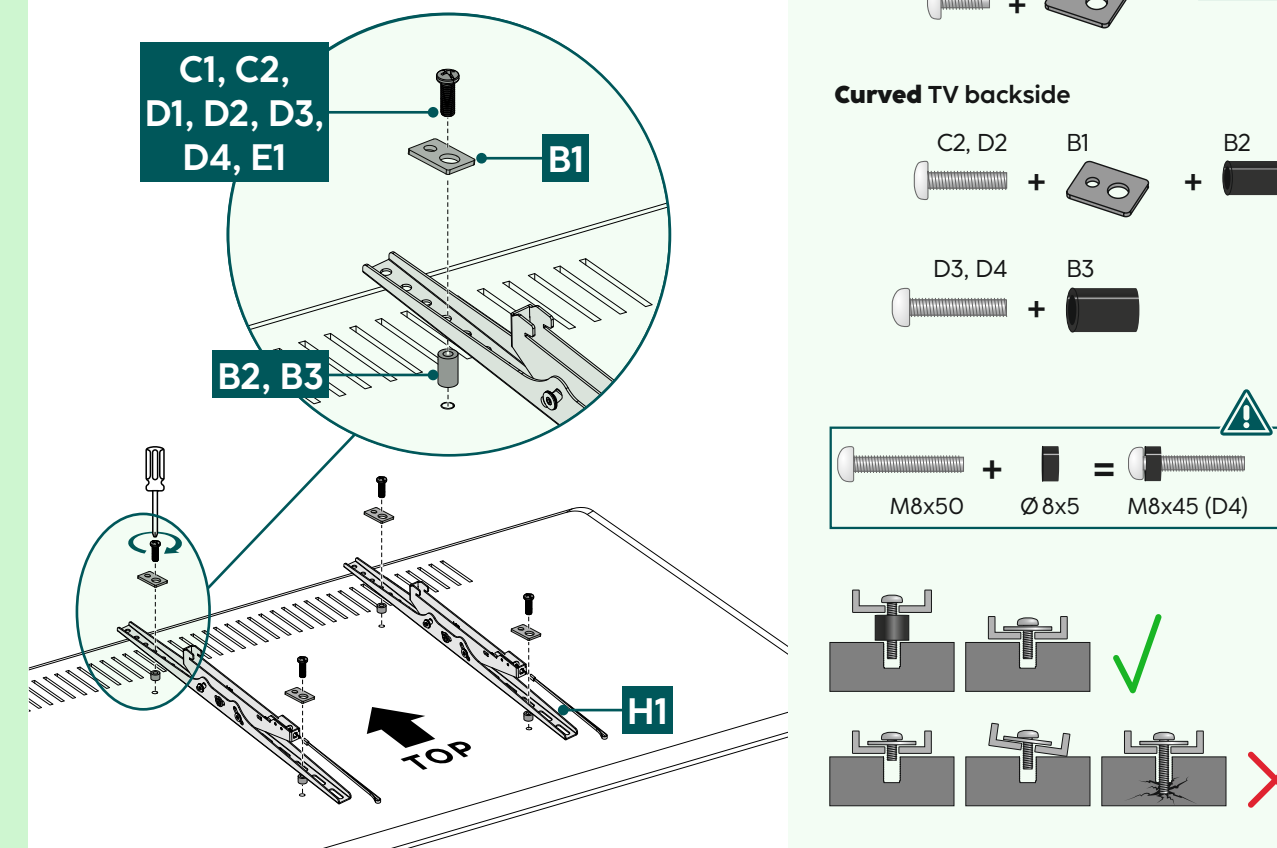
1c Assembly preparation



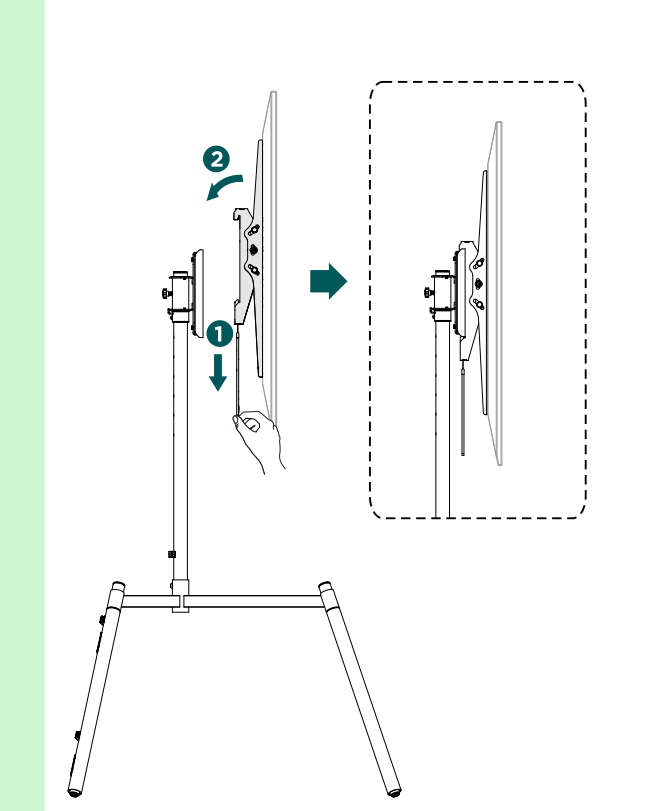
2 Attach to run cables



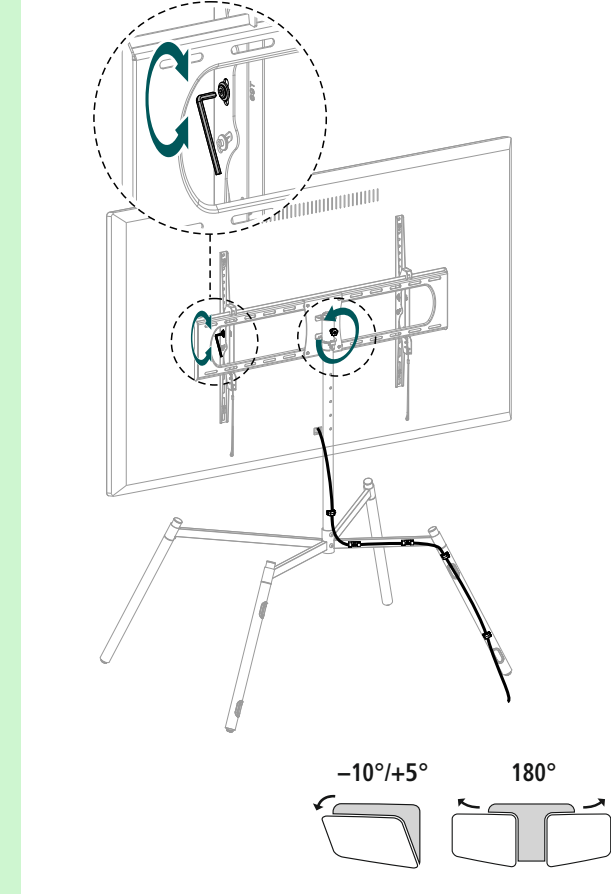
3 Mounting on backside of the TV



4 Mounting the TV on the TV stand



5 Adjustment



Do you need more help?



Scan QR or visit:
support.hama.com/00220894

